

# LOUNGE AROUND SHUFFLE | POUFFE

Designed by Søren Ravn Christensen



## DIMENSIONS

H x W x D: 40.3 x 71.4 x 71.4 cm / 15.9 x 28.1 x 28.1"



## MATERIAL

Solid oak, veneered MDF with clear top coat and polyester (Horizons S). Find more information in the Horizons S fabric spec sheet.



## WEIGHT

11.5 kg / 25.3 lb



## WEIGHT INCL. PACKAGING

Box 1: 12 kg / 26.5 lb  
Box 2: 3.2 kg / 7.1 lb



## ASSEMBLY TIME

10 min



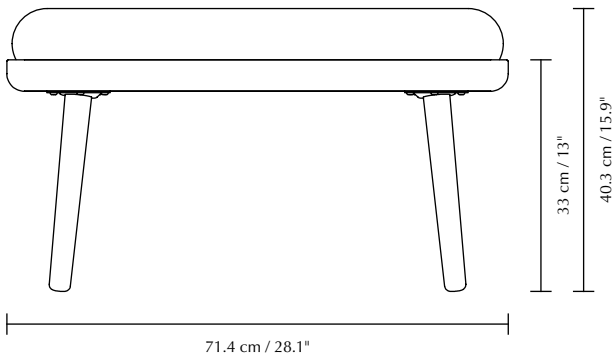
## MEDIA KIT

Photos and press material  
Download at [umage.presscloud.com](https://umage.presscloud.com)



## ORDERING INFORMATION

Oak sugar brown	#5552C720-01
Oak white sands	#5552C720-02
Oak sterling	#5552C720-03
Oak shadow	#5552C720-04
Dark oak sugar brown	#5752C720-01
Dark oak white sands	#5752C720-02
Dark oak sterling	#5752C720-03
Dark oak shadow	#5752C720-04



## Colour variations



oak



dark oak



sugar  
brown



white  
sands



sterling



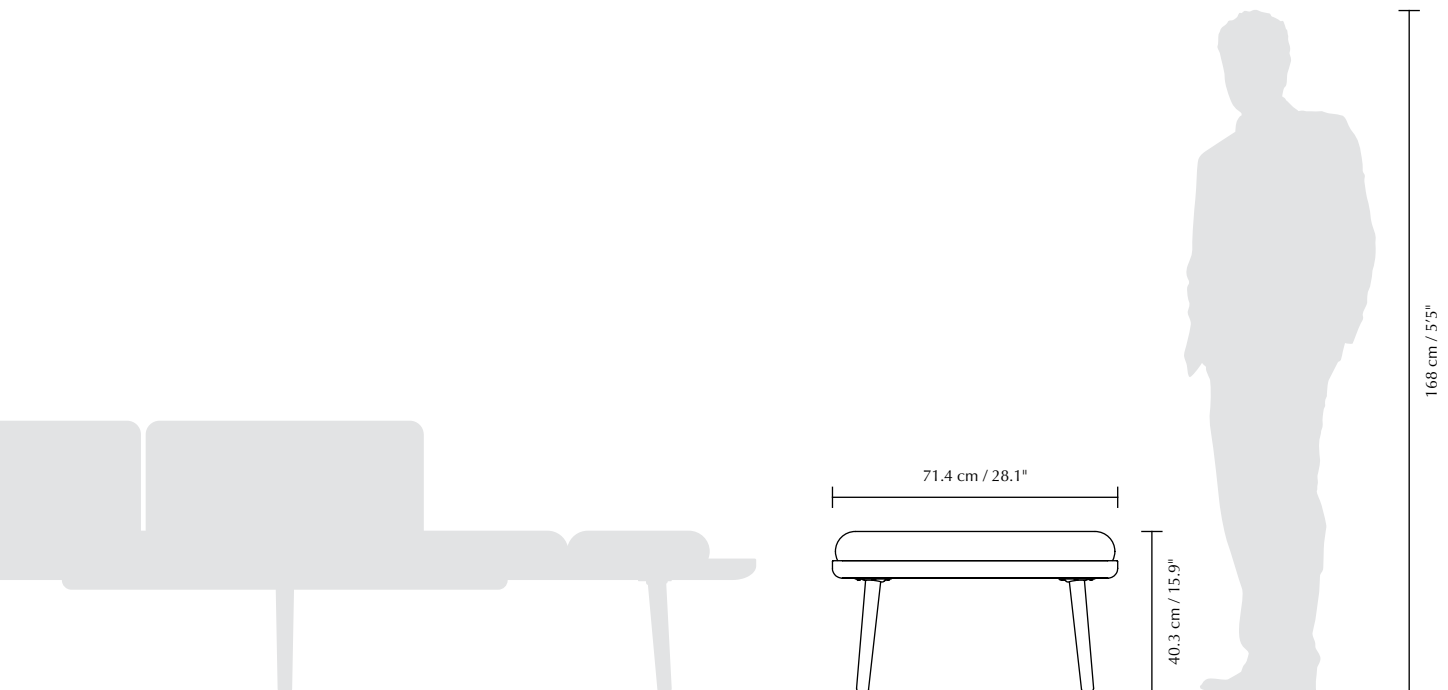
shadow



UMAGE

# LOUNGE AROUND SHUFFLE | POUFFE

Designed by Søren Ravn Christensen



  
**UMAGE**

The specifications and dimensions are subject to change without notice. Document date: 21-01-2025 | [info@umage.com](mailto:info@umage.com) | [umage.com](http://umage.com)  
Havnegade 29, DK-1058 Copenhagen K | +45 31 39 31 31 (tel) & 185 Wythe Ave 2FL, Brooklyn, NY 11249 | +1 646-790-7171 (tel)